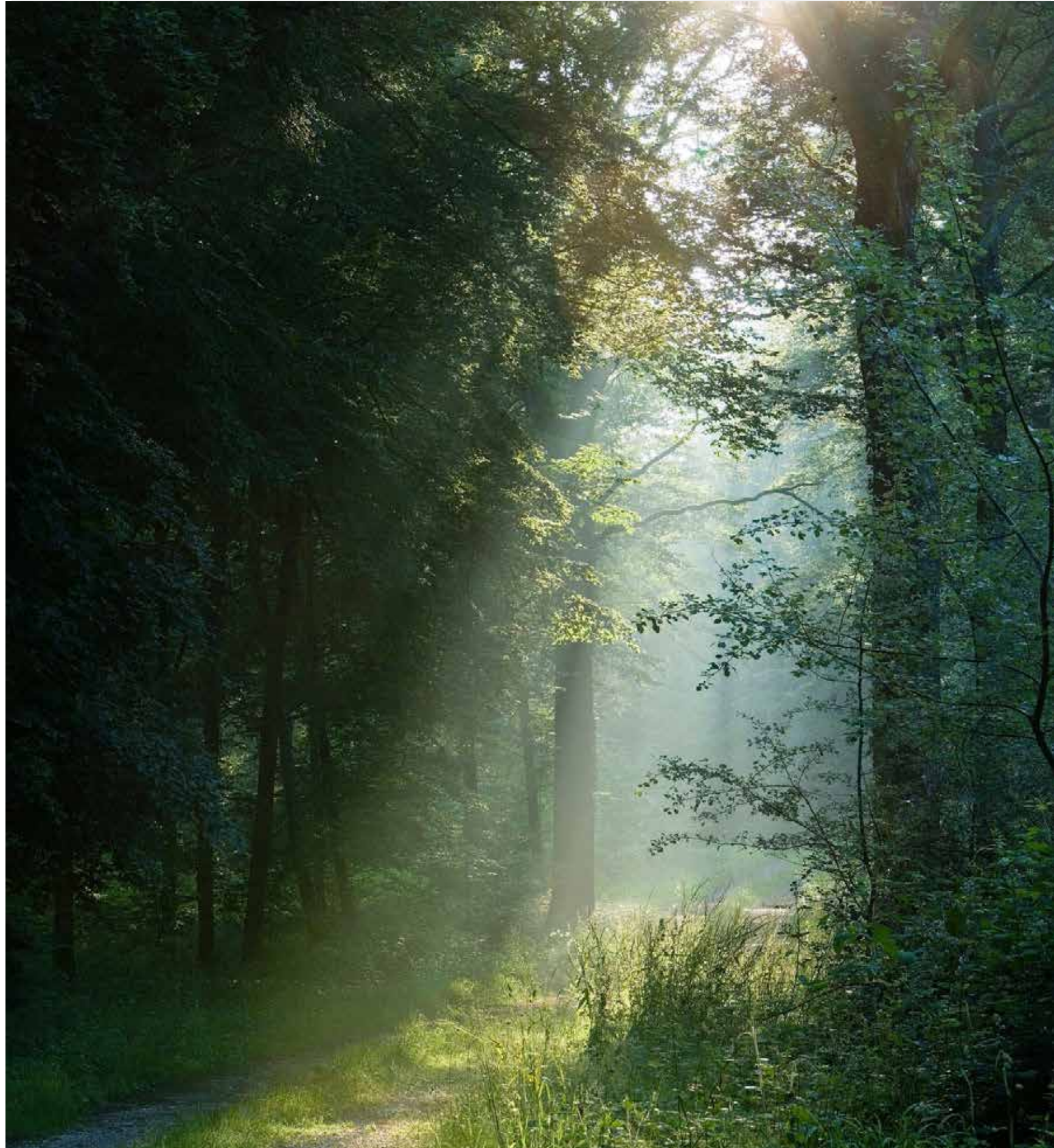


# BECAFIRE



WOOD FIREPLACES & STOVES



# Inspiration from the North

---

The Belgian manufacturer Becafire has been designing and developing fireplace cassettes of the highest quality for many years, and offers an exceptional range.

The chosen pure details and elegant form, along with simple materials, result in products that look truly amazing. These are combined in a wide collection, with many options and opportunities for customisation.

The products look stunning in any interior and suit every wall and furniture unit.

Thanks to the almost endless personalisation possibilities in terms of dimension, the frames and extensions can be subtly integrated into the overall interior design.

---





## Contents

Introduction	P6-13
INSERTS	P14-17
Insert FRONT	P18-19
Insert TUNNEL	P20-21
Insert VENTILATE	P22-23
Insert CORNER	P24-25
Frames	P29
BASES	
Buche	P30
Oblique	P31
Steel-C	P32
Cailla	P33
Wood-mas	P34-35
Wood-up	P36-37
Stark	P38-39
Liac	P40-
Ode	P42
Estrade	P43
Scala	P44-47
Harkavy	P48-49
CUB'R	P50-51
Cub'r FRONT	P52-55
Cub'r TUNNEL	P56-57-60
Cub'r CORNER	P58-59-61
Wall'r	P62-63
Material	P64-67
Technical drawings	P68-76
Technical specifications	P77
Contact	P80

## The concept

New-generation BECAFIRE fireplaces are founded on an optimal burning process, producing a higher return than traditional stoves. All

BECAFIRE products incorporate the most advanced technology.

Our products are designed with the greatest care, by and for people who love fire. Our cassettes combine quality and technical innovation, with a minimalistic design that can be adapted to suit any interior.

The cast-iron interior of BECAFIRE products ensures optimal heat distribution in the living space. Thanks to this durable insert you will enjoy its warmth for many years to come.



Love for  
fire



## Top quality standards

With Becafire, you benefit from a Belgian concept that is appreciated for its style and simplicity.

A concept that stands out for its exceptional quality and is certain to provide years of pleasure.





## THE FOUNDRY master of fire and materials

---

All Becafire products feature a cast-iron interior, which optimises the heat distribution in the living space. In addition, this makes it highly durable, providing years of warmth and enjoyment.



## HERITAGE

With expertise passed down the generations, the Becafire foundry, beside the river Douro in Portugal, offers you unprecedented quality and service. More than 40 specialist employees at this foundry work hard to transform the Belgian designs into premium and pioneering cast-iron cassettes.





# ECO INSERTS



# INTERIEUR SOLUTIONS

Enclosed wood fireplace insert with side door





# FLUE RENOVATION

By integrating a Becafire fireplace insert in an open fireplace, you win in performance and efficiency while making an ecological choice, for better air quality.

In fact, thanks to design progress achieved in recent years, Becafire open fireplace cassettes ensure a very high combustion performance. You can therefore use your radiators, boiler, etc. less, and save on your wood consumption.

Not only is this more economical, it is also more ecological, boosting your comfort by emitting 10 times less particles than an open fireplace, while also limiting the emission of greenhouse gases.

In this way, you act to prevent global warming and to produce healthier air. Whether you choose to convert an open fireplace or replace an old closed fireplace with a new-generation fireplace, Becafire offers you all the advantages of a real wood stove



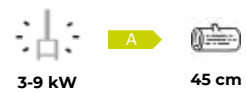
BEFORE



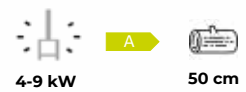
AFTER

# INSERT FRONT

Insert Front 60/50



Insert Front 70/50



Insert Front 60/60



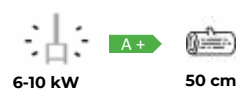
Insert Front 70/60



Insert Front 80/50



Insert Front 90/50



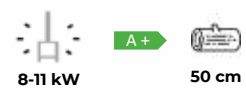
Insert Front 80/60



Insert Front 90/60



Insert Front 100/50



Insert Front 100/60



cross section of insert front



# INSERT TUNNEL

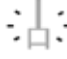

The tunnels have a door on both sides.  
This chimney is ideal for dividing up large living spaces.



Becafire

Becafire

## Insert Tunnel DF 80/60


A+

  
 7-11 kW      50 cm



## Insert Tunnel DF 100/60


A+

  
 9-13 kW      50 cm



# INSERT FRONT with ventilator



**Insert Front 70/60**



**Insert Front 80/60**



**Insert Front 100/60**



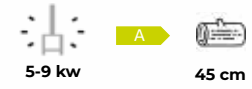


# INSERT CORNER



Becafire

Insert Corner CL 60/60



Insert Corner CR 60/60



Insert Corner CR 60/60



Insert Corner CL 70/60



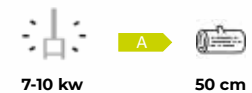
Insert Corner CR 70/60



Insert Corner CR 70/60



Insert Corner CL 80/60



Insert Corner CR 80/60



Insert Corner CR 80/60



Becafire

# USER-FRIENDLY

The combustion chamber in BECAFIRE products is so hermetic that the fire reacts to the tiniest movement of the air intake control. The control components cool automatically, thanks to their special design. The forms and movements of the control components are extremely natural and intuitive.

## OUTSIDE AIR

Our very latest addition to the insert family features a special system, making it extremely powerful and energy-efficient.

What you need to remember is that connectable wood stoves do not suck air from the room. Instead, they use air from outside or take it from the empty space below the cassette via a connecting pipe.



handle



control for air supply







ash recipient



smoke outlet  
standard 180

# FRAME WITH STEEL FINISH



**Frame 3S**  
Width: 30 mm  
top, left, right



**Frame 4S**  
Width: 30 mm  
on all four sides



**Frame 4S**  
Width: 50 mm  
on all four sides



**Frame 4S**  
Width: 80 mm  
on all four sides



**Slender frame**  
finishing frame

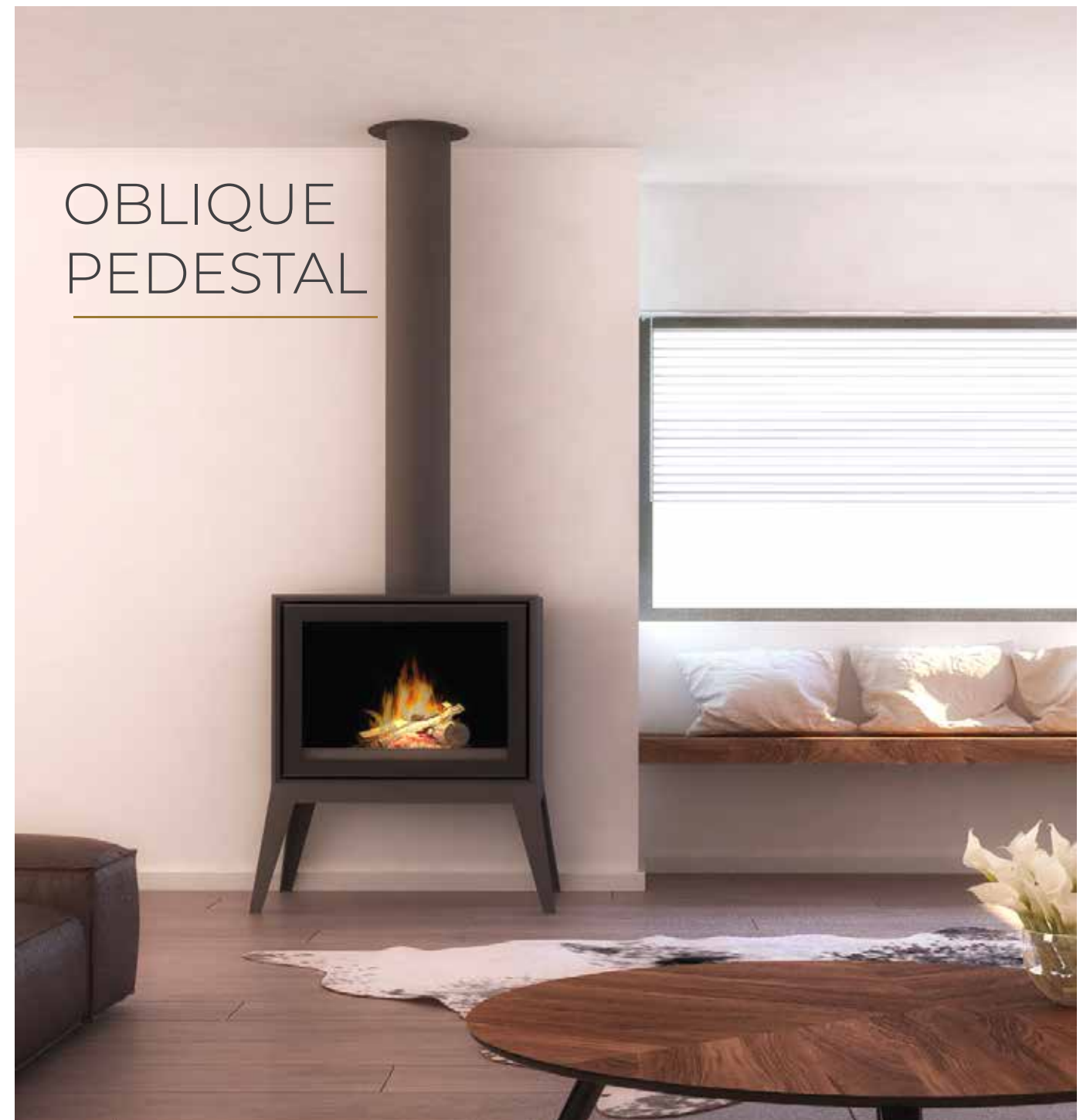
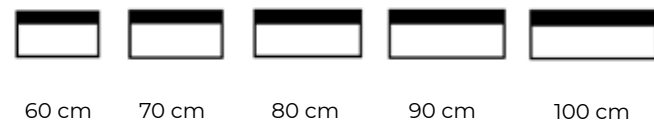
Frames for insert front and tunnel



# PEDESTAL BUCHE

Material metal bench

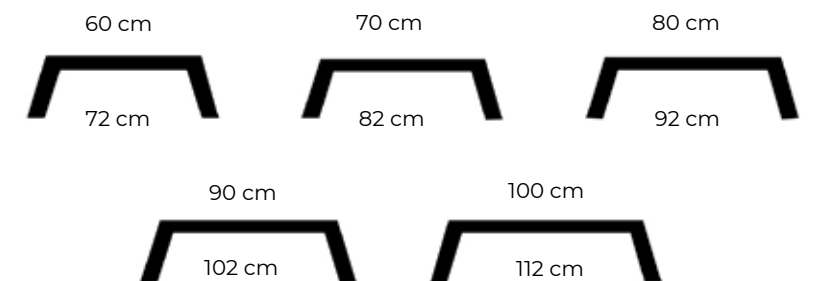
Depth : 47 cm  
Height : 38 cm



# OBLIQUE PEDESTAL

Material metal bench

Depth : 47 cm  
Height : 38 cm



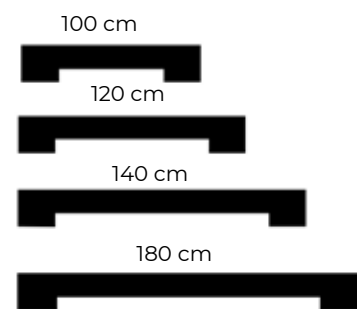


# PEDESTAL STEEL-C



Material metal bench

Depth : 47 cm  
Height : 38 cm

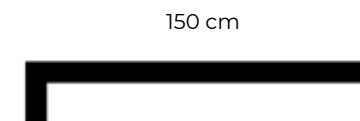


# PEDESTAL CAILLA



Material metal bench

Depth : 50 cm  
Height : 38 cm



# PEDESTAL WOOD-MAS

Available in two colours

- light oak
- dark oak

Material

- Top leaf in granite Zimbabwe
- Base in solid oak

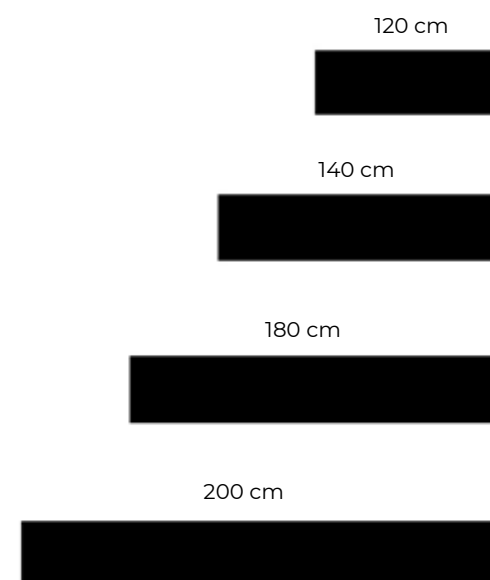
Becafire



Available in two heights

- Model two levels of 30 cm
- Model three levels of 45 cm
- With a depth of 47 cm

Becafire





# PEDESTAL WOOD-UP

Available in two colours

light oak

dark oak

## Material

- Top leaf and legs in black steel
- Base in solid oak

Becafire



Depth : 60 cm  
Height : 40 cm

120 cm



140 cm



180 cm



200 cm



Becafire

# PEDESTAL STARK

Available in two colours

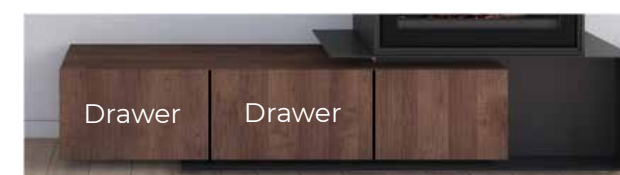
- light oak
- dark oak

## Material

- Right side in metallic steel
- 1,5m unit with two drawers

Depth : 50 cm  
Height : 38 cm

190 cm



Drawer

Drawer



# PEDESTAL LIAC



## Material

- Sides in black melamine with front drawer in light oak
- Leaf in satin-black Neolith

Depth : 45 cm  
Height : 38 cm



Front drawer in light oak  
Top leaf in satin-black Neolith

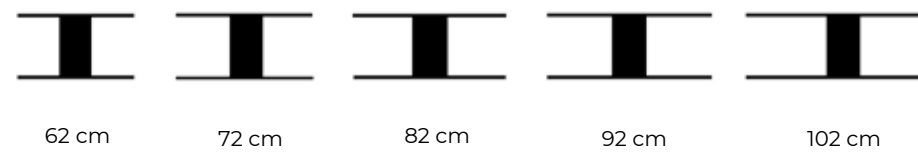


62 cm    72 cm    82 cm    92cm    102 cm

# PEDESTAL ODE



Material  
Metallic steel  
Depth : 45 cm  
Height : 45 cm



# PEDESTAL ESTRADE



Material  
Metallic steel  
Depth : 47 cm  
Height : 15 cm





# PEDESTAL SCALA

## Material

- For our collection of front materials see page 64
- Top leaf available in different finishes, see our Neolith range



Depth : 47 cm  
Height : 40 cm

Scale 120 cm    Scale 60 cm



Scale 120 cm    Scale 60 cm





## Be creative

---

Simple or original, as decoration or to suit your modular furniture, with the top leaf in stone to blend beautifully with our Cub'R units.





## CUB'R ECO

Becafire Cub'R models distribute a pleasant, cosy, efficient and environmentally-friendly warmth. They have been designed to maximise your return and delight. Cub'R models are available in many formats and sizes, and in different volumes to suit their heat capacity. Each one stands out for its unique design and exceptional quality.



## Steel cladding

Adapted to suit the different Becatrans models



# CUB'R FRONT



Daily comfort



# CUB'R FRONT

**CUB'R FRONT 60/50**



**CUB'R FRONT 70/50**



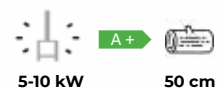
**CUB'R FRONT 60/60**



**CUB'R FRONT 70/60**



**CUB'R FRONT 80/50**



**CUB'R FRONT 90/50**



**CUB'R FRONT 80/60**



**CUB'R FRONT 90/60**



**CUB'R FRONT 100/50**



**CUB'R FRONT 100/60**





# CUB'R TUNNEL



Warmth & beauty



# CUB'R CORNER



Becafire



An elegant corner



Becafire



# CUB'R TUNNEL

A fabulous fire,  
on two sides



**CUB'R TUNNEL 80/60**

7-11 kW A+ 50 cm



**CUB'R TUNNEL 100/60**

9-14 kW A+ 50 cm

# CUB'R CORNER

**CUB'R CORNER CL 60/60**

6-9 kW A 45 cm



**CUB'R CORNER CR 60/60**

6-9 kW A 45 cm



**CUB'R CORNER CL 70/60**

6-9 kW A 50 cm



**CUB'R CORNER CR 70/60**

6-9 kW A 50 cm



**CUB'R CORNER CL 80/60**

7-10 kW A 50 cm



**CUB'R CORNER CR 80/60**

7-10 kW A 50 cm





## Suspended Wall'r

Steel cladding can be adapted to suit the various Cub'R models

---

A suspended fireplace is both beautiful and bold.

With its panoramic view of the fire, a suspended fireplace enhances the enjoyment of a beautiful flame. Suspended fireplaces are well suited to every modern interior, and true works of art in themselves.

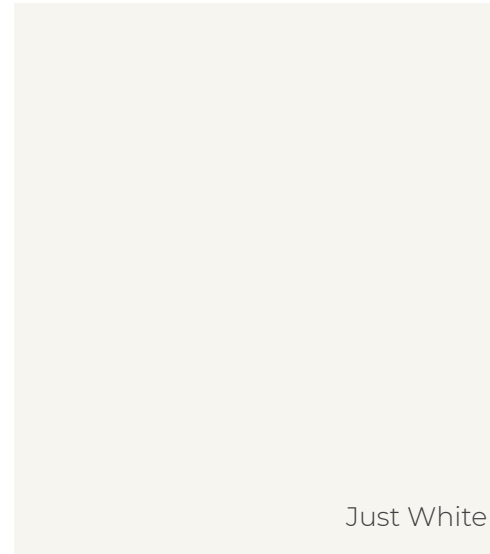
---



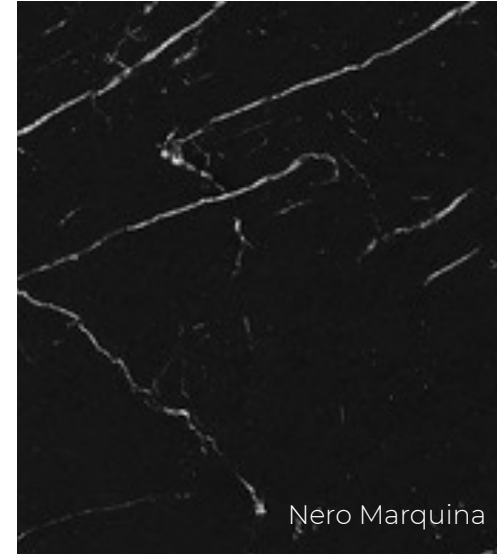
# MATERIAL



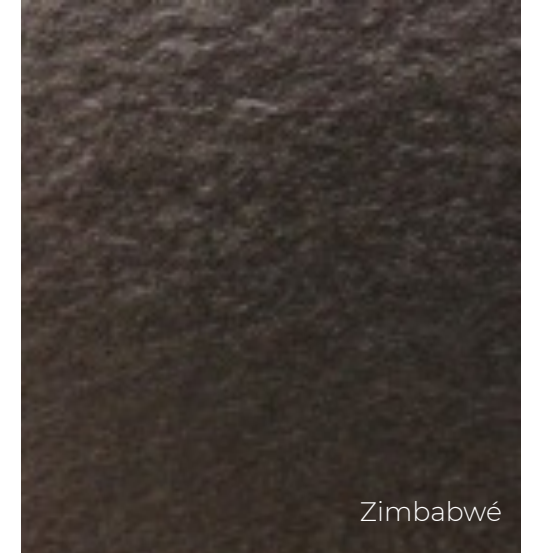
Calacatta Silk



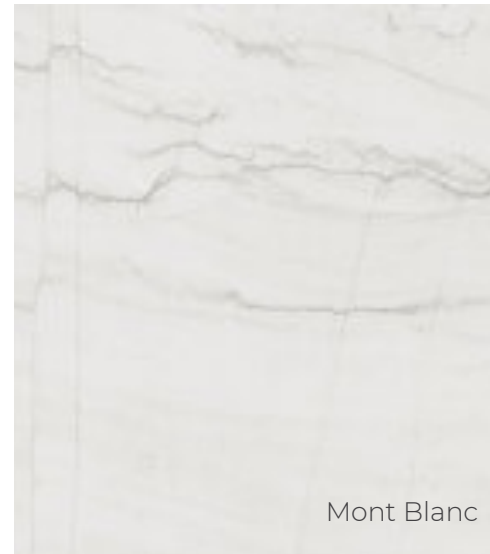
Just White



Nero Marquina



Zimbabwe



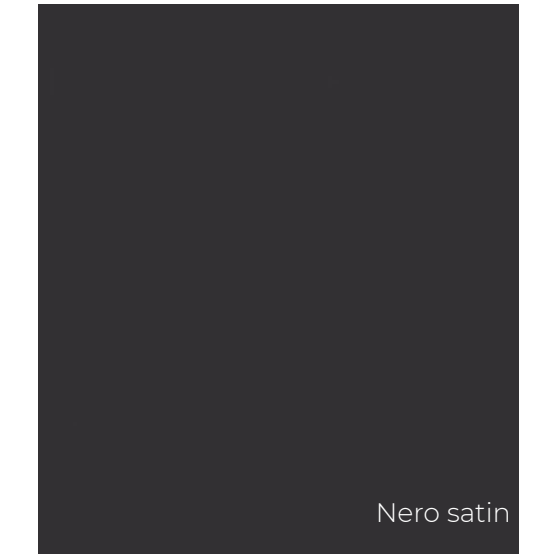
Mont Blanc



**NEOLITH**  
EXTRAORDINARY SURFACE



Sofia Cuprum



Nero satin

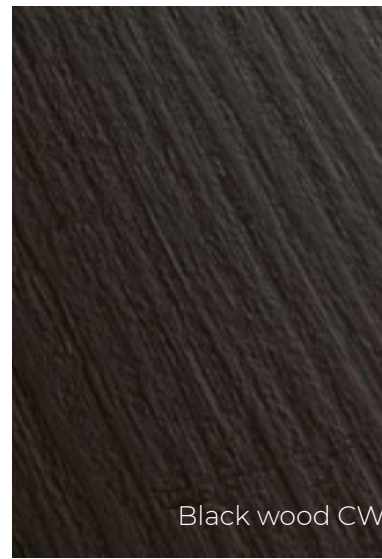
Calacatta Silk / Just White / Mont Blanc

Nero Marquina / Sofia Cuprum / Nero Satin / Zimbabwe

## OUR WOOD



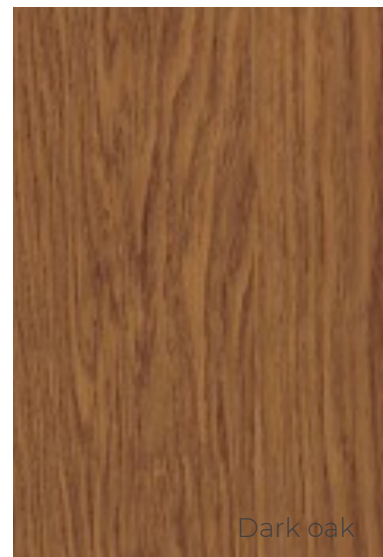
Light oak



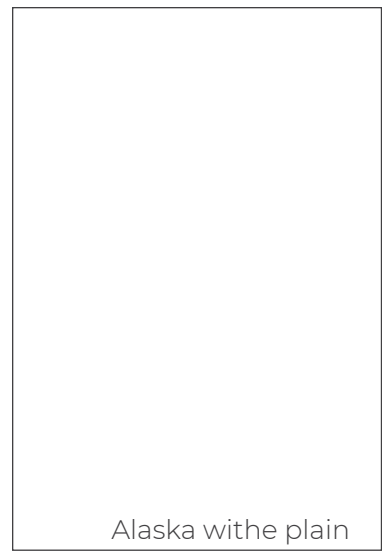
Black wood CW



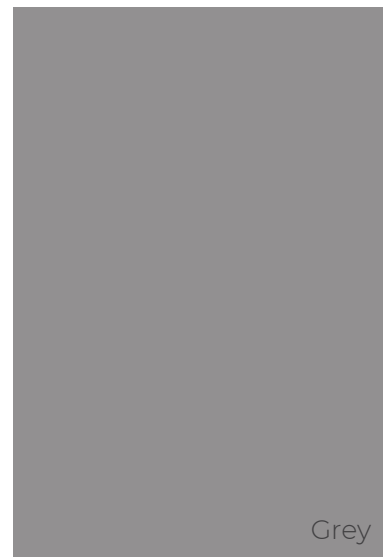
Black



Dark oak



Alaska white plain



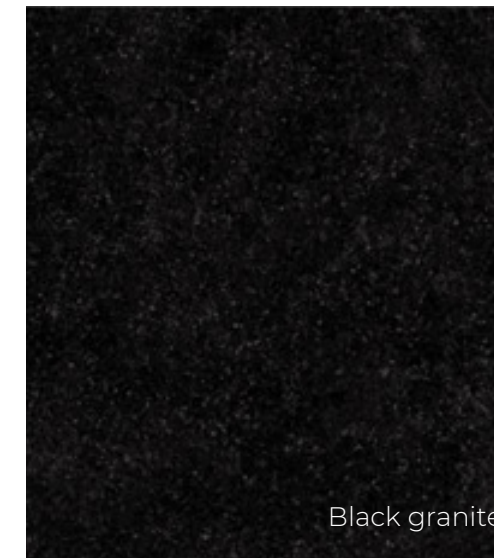
Grey

Light oak / Dark oak / Black wood cw / Black plain / Alaska white plain / Grey

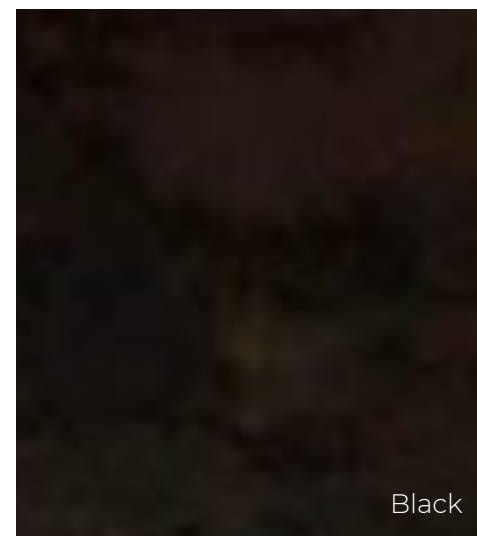
## OUR NATURAL STONE



Light smooth  
bluestone



Black granite



Black

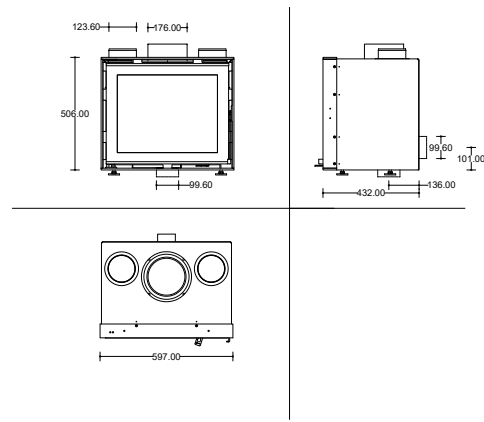
## OUR STEEL

Note: As a natural product, each batch of our selected stone, marble and granite can differ in appearance, colour and nuance. Therefore we are unable to accept complaints in this regard.

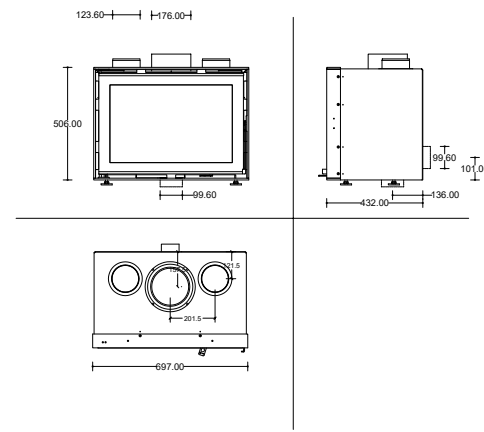


# TECHNICAL DRAWINGS INSERTS 50

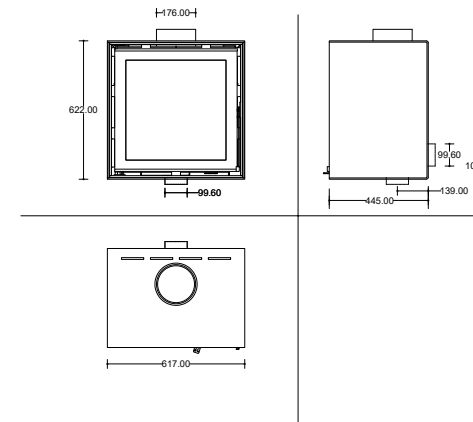
### INSERT 60/50



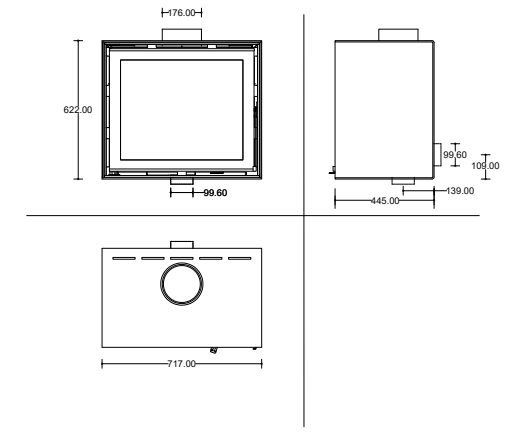
### INSERT 70/50



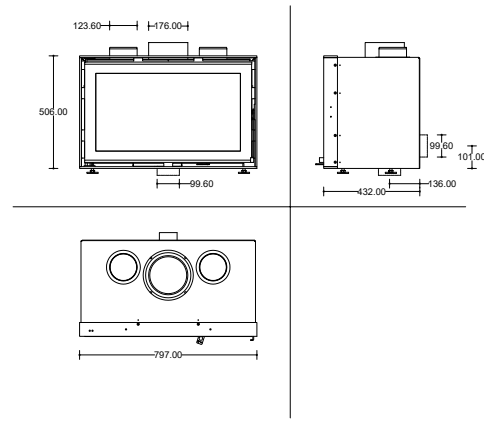
### INSERT 60/60



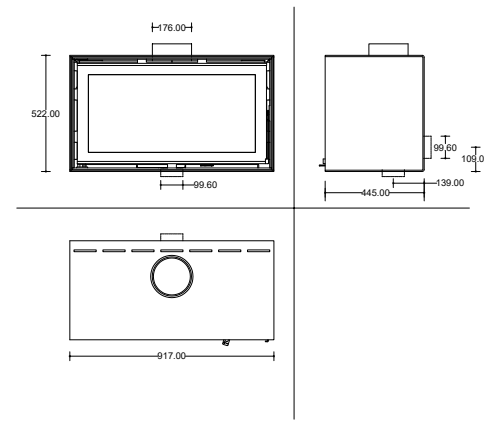
### INSERT 70/60



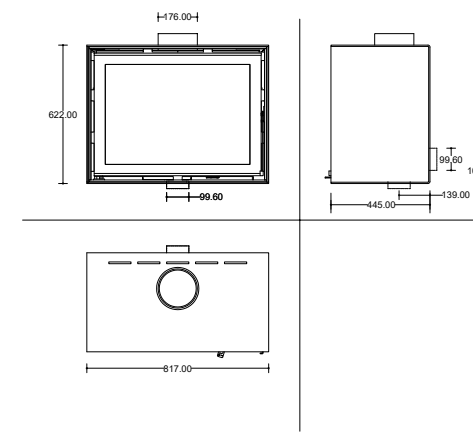
### INSERT 80/50



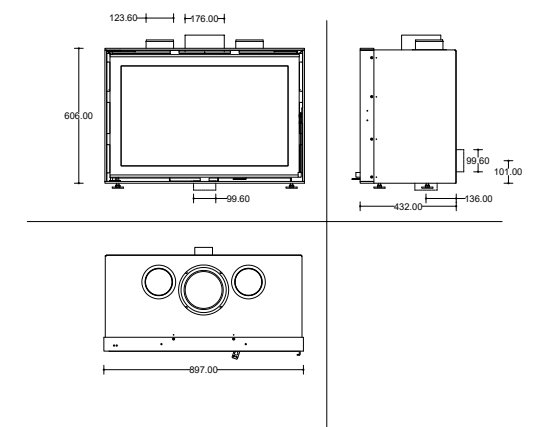
### INSERT 90/50



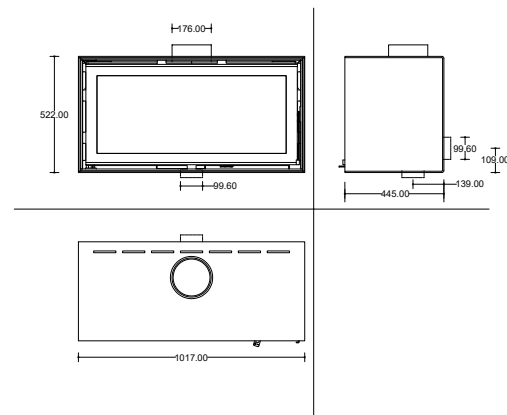
### INSERT 80/60



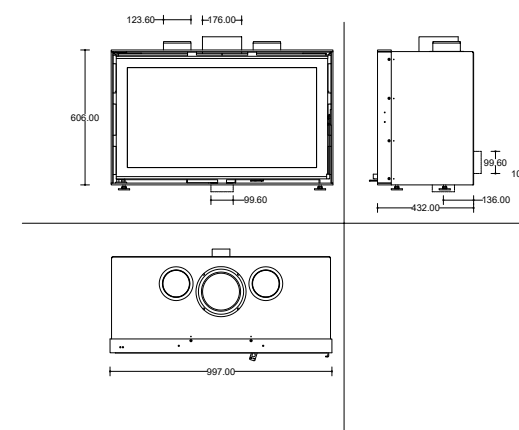
### INSERT 90/60



### INSERT 100/50

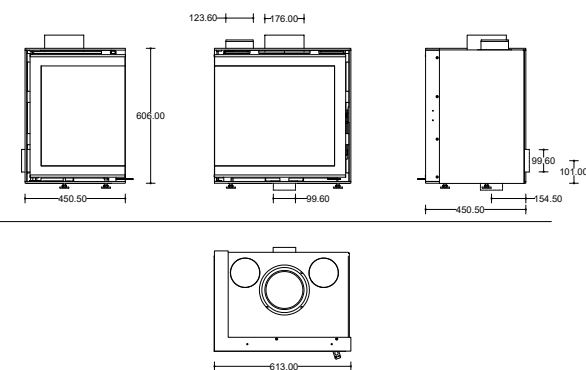


### INSERT 100/60

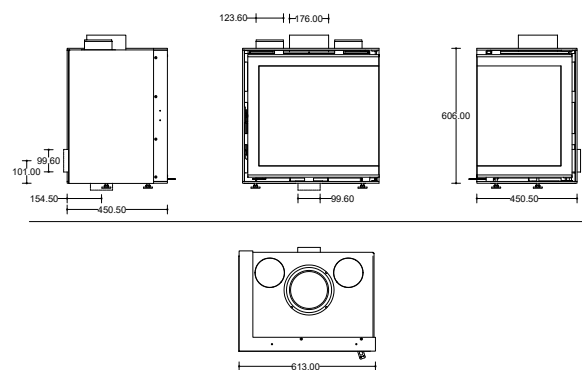


# TECHNICAL DRAWINGS INSERTS CORNER

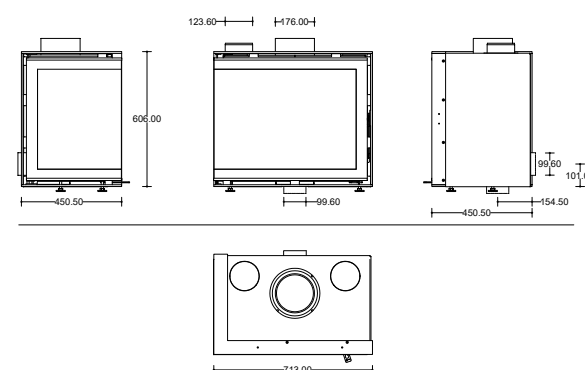
### INSERT CORNER CORNER LEFT 60/60



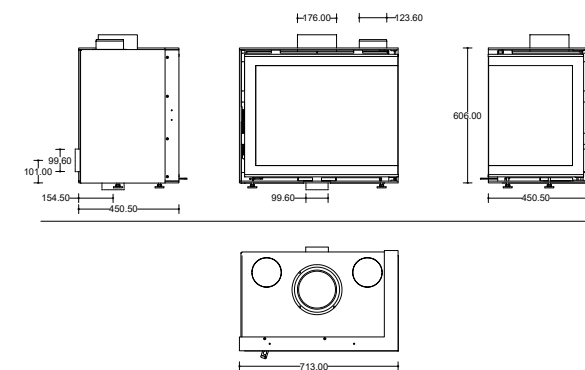
### INSERT CORNER CORNER RIGHT 60/60



### INSERT CORNER CORNER LEFT 70/60

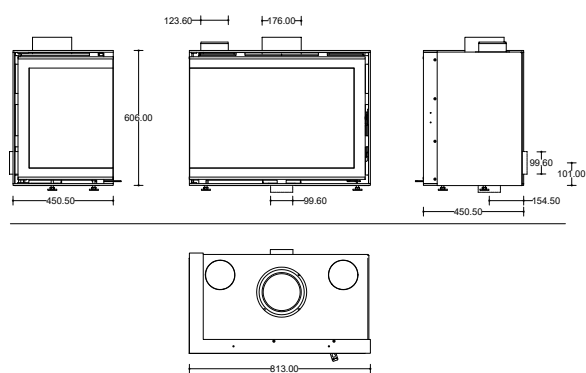


### INSERT CORNER CORNER RIGHT 70/60

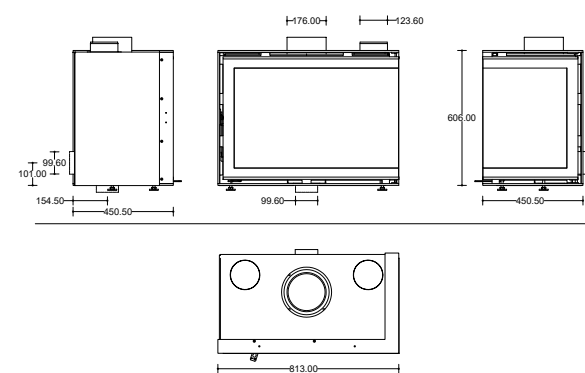


## INSERTS DOUBLE FACE

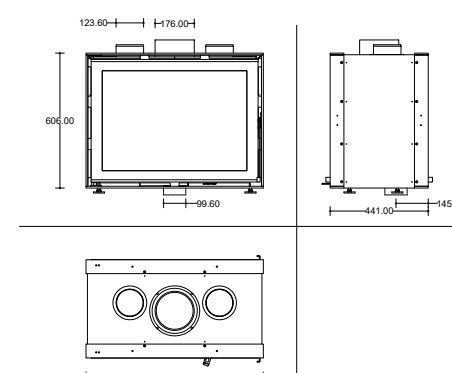
### INSERT CORNER CORNER LEFT 80/60



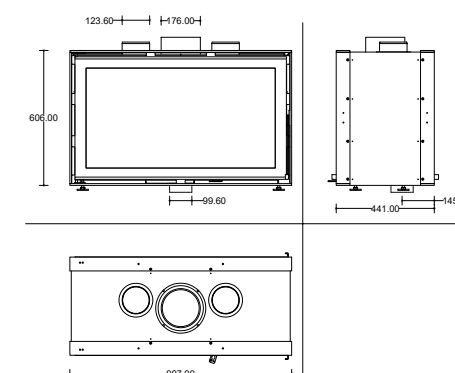
### INSERT CORNER CORNER RIGHT 80/60



### INSERT DOUBLE FACE 80/60

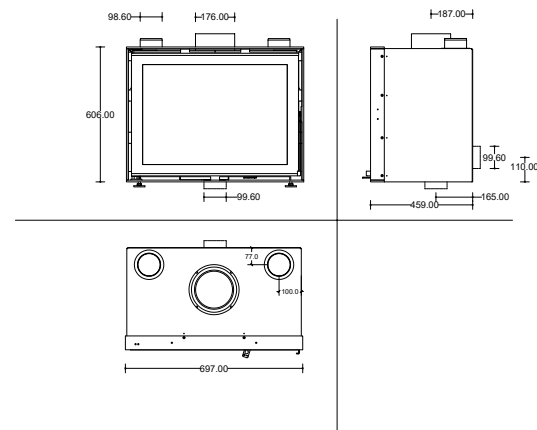


### INSERT DOUBLE FACE 100/60

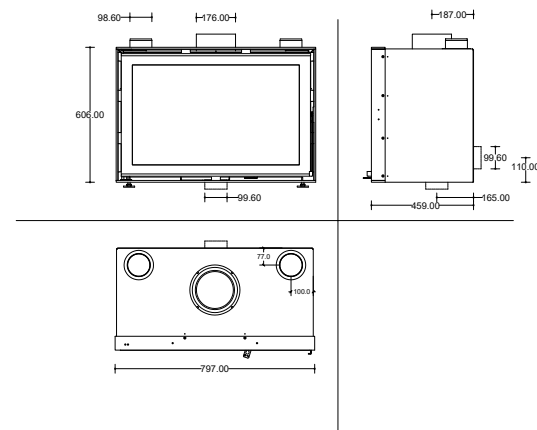


# TECHNICAL DRAWINGS INSERTS VENTILATE

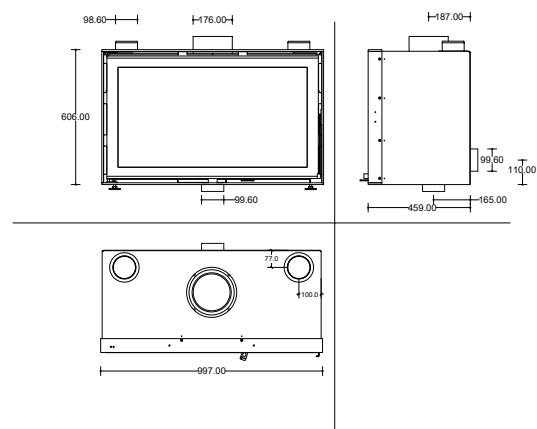
### INSERT VENTILATE 70/60



### INSERT VENTILATE 80/60

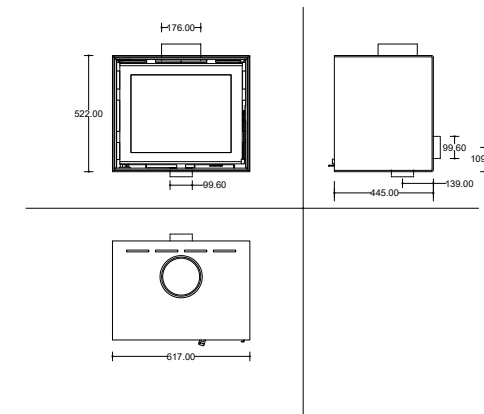


### INSERT VENTILATE 100/60

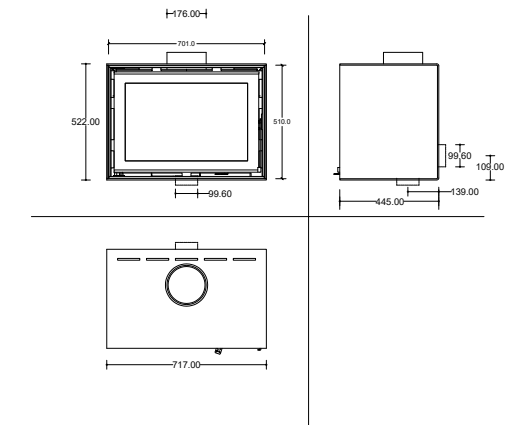


# TECHNICAL DRAWINGS CUB'R 50

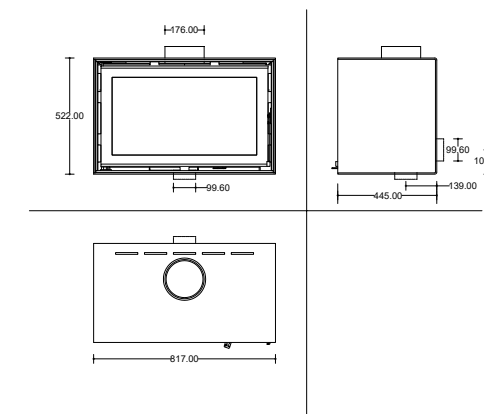
### CUB'R 60/50



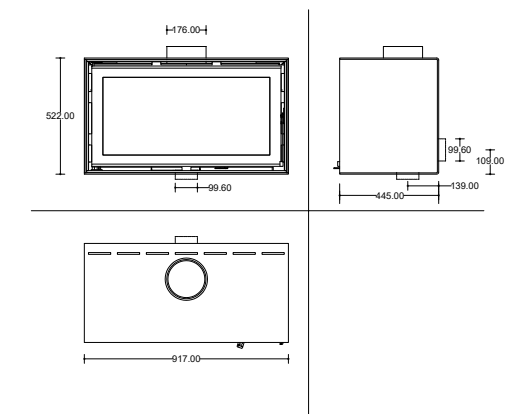
### CUB'R 70/50



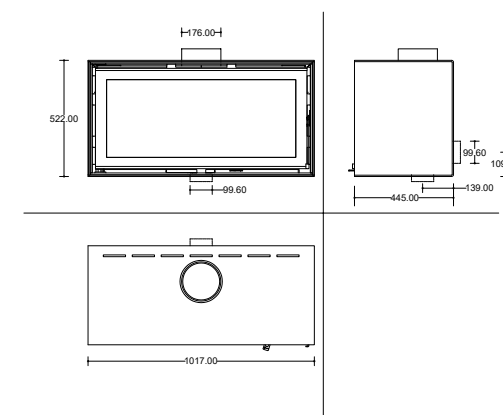
### CUB'R 80/50



### CUB'R 90/50



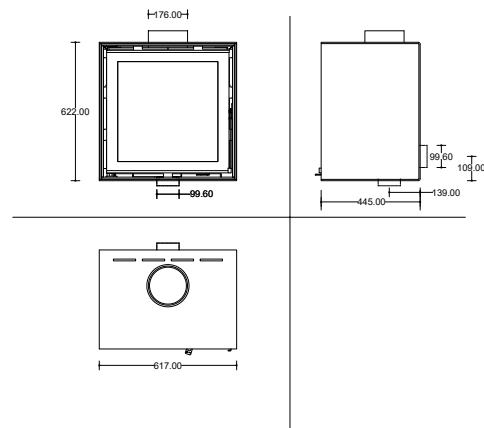
### CUB'R 100/50



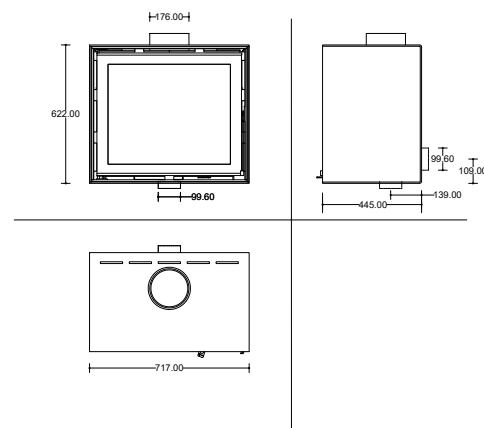


# TECHNICAL DRAWINGS CUB'R 60

### CUB'R 60/60

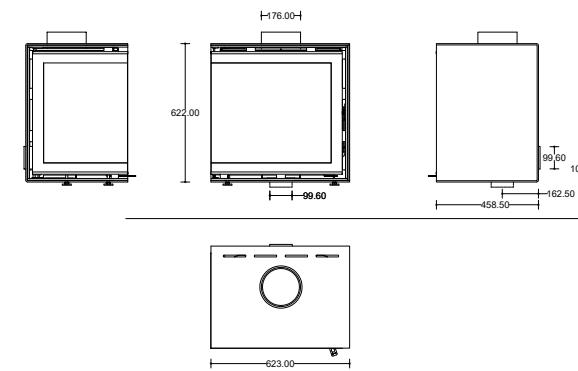


### CUB'R 70/60

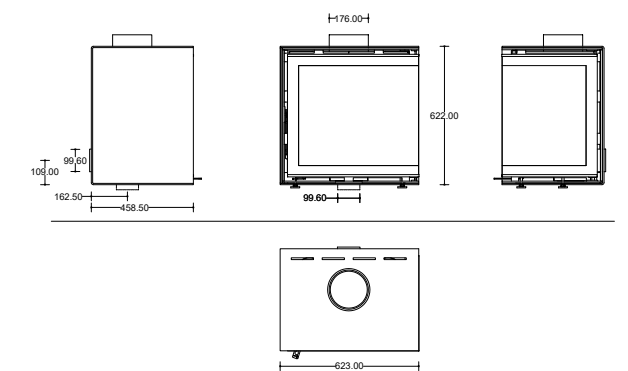


# TECHNICAL DRAWINGS CUB'R CORNER

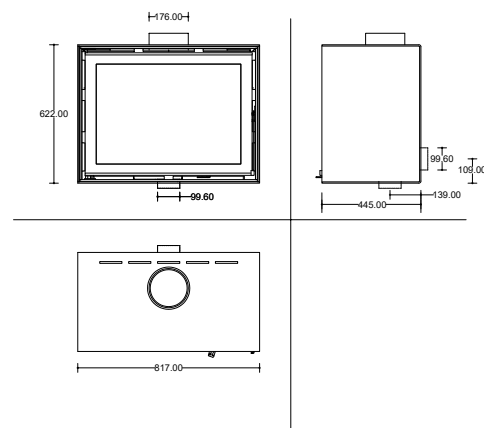
### CUB'R CORNER LEFT 60/60



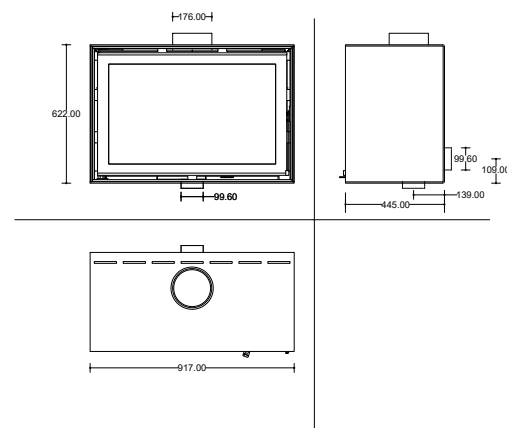
### CUB'R CORNER RIGHT 60/60



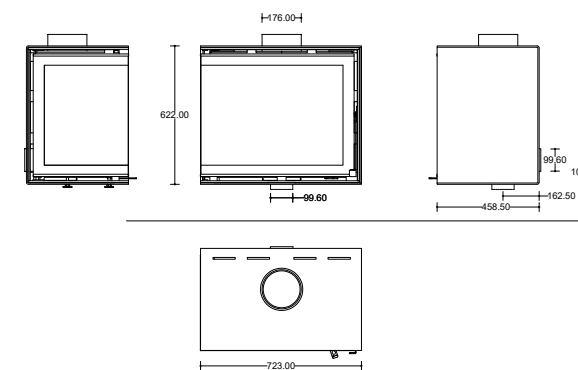
### CUB'R 80/60



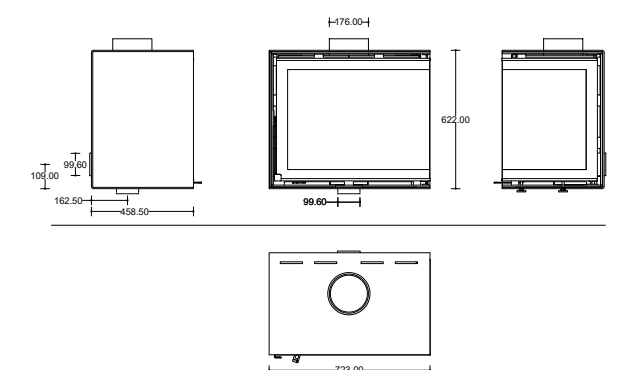
### CUB'R 90/60



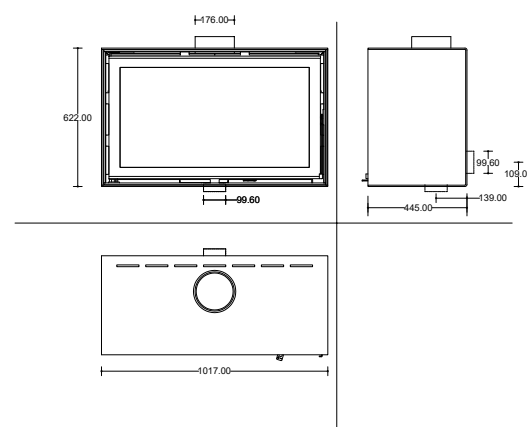
### CUB'R CORNER LEFT 70/60



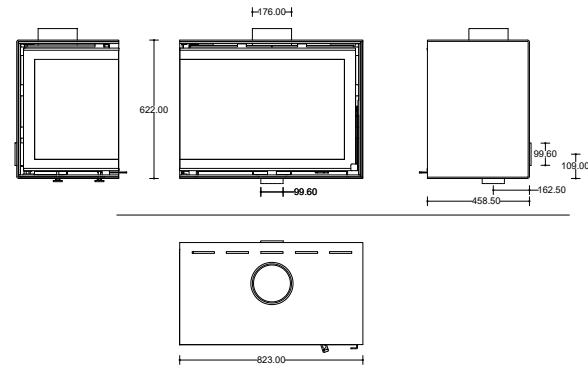
### CUB'R CORNER RIGHT 70/60



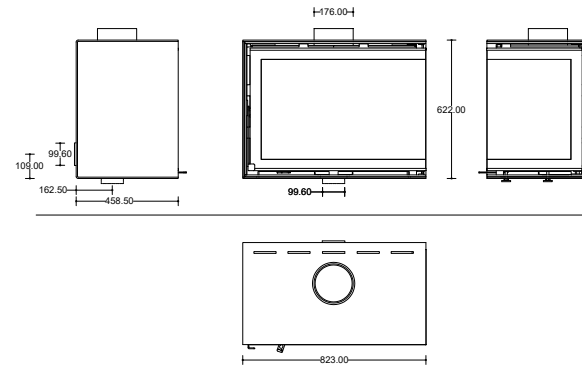
### CUB'R 100/60



### CUB'R CORNER LEFT 80/60



### CUB'R CORNER RIGHT 80/60

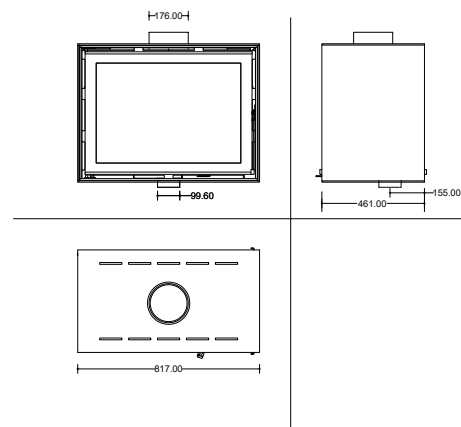


## TECHNICAL SPECIFICATIONS

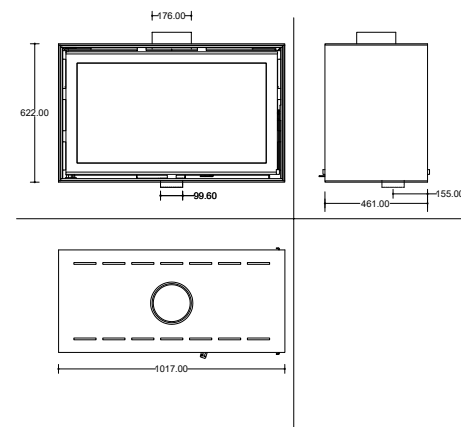
	Power (kW)	Return (%)	Pipe Ø (mm)	Weight (kg)	Log (cm)	Outlet Ø150
<b>INSERT ECO</b>						
60/50	3-8,8	78	Ø180	142	45	O
70/50	4,5-9	79,1	Ø180	163	50	O
80/50	5,5-9,5	80,2	Ø180	178	50	/
90/50	6-10	81,3	Ø180	198	50	/
100/50	8-11	82,4	Ø180	240	50	/
60/60	4,7-9,2	78	Ø180	156	45	O
70/60	6,2-10,7	79,1	Ø180	178	50	O
80/60	7-11,2	80,2	Ø180	200	50	/
90/60	7,9-11,7	81,3	Ø180	220	50	/
100/60	8,5-13,4	82,4	Ø180	252	50	/
DF 80/60	7-11,2	80,2	Ø180	200	50	/
DF 100/60	8,5-13,4	82,4	Ø180	252	50	/
V70/60	6,2-10,7	79,1	Ø180	188	50	O
V80/60	7-11,2	80,2	Ø180	210	50	O
V100/60	8,5-13,4	82,4	Ø180	310	50	/
CL 60/60	5,5-9	76,5	Ø180	146	45	O
CL 70/60	6,3-9,3	76,5	Ø180	168	50	/
CL 80/60	6,8-9,8	76,5	Ø180	190	50	/
CR 60/60	5,5-9	76,5	Ø180	146	45	O
CR 70/60	6,3-9,3	76,5	Ø180	168	50	/
CR 80/60	6,8-9,8	76,5	Ø180	190	50	/
<b>CUB'R ECO</b>						
60/50	3-8,8	78	Ø180	183	45	O
70/50	4,5-9	79,1	Ø180	212	50	O
80/50	5,5-9,5	80,2	Ø180	134	50	/
90/50	6-10	81,3	Ø180	269	50	/
100/50	8-11	82,4	Ø180	282	50	/
60/60	4,7-9,2	78	Ø180	197	45	O
70/60	6,2-10,7	79,1	Ø180	232	50	O
80/60	7-11,2	80,2	Ø180	262	50	/
90/60	7,9-11,7	81,3	Ø180	275	50	/
100/60	8,5-13,4	82,4	Ø180	292	50	/
DF 80/60	7-11,2	80,2	Ø180	240	50	/
DF 100/60	8,5-13,4	82,4	Ø180	292	50	/
CL 60/60	5,5-9	76,5	Ø180	186	45	O
CL 70/60	6,3-9,3	76,5	Ø180	218	50	/
CL 80/60	6,8-9,8	76,5	Ø180	238	50	/
CR 60/60	6,8-9,8	76,5	Ø180	186	45	/
CR 70/60	6,8-9,8	76,5	Ø180	218	50	/
CR 80/60	6,8-9,8	76,5	Ø180	238	50	/

## CUB'R DOUBLE FACE

### CUB'R DOUBLE FACE 80/60



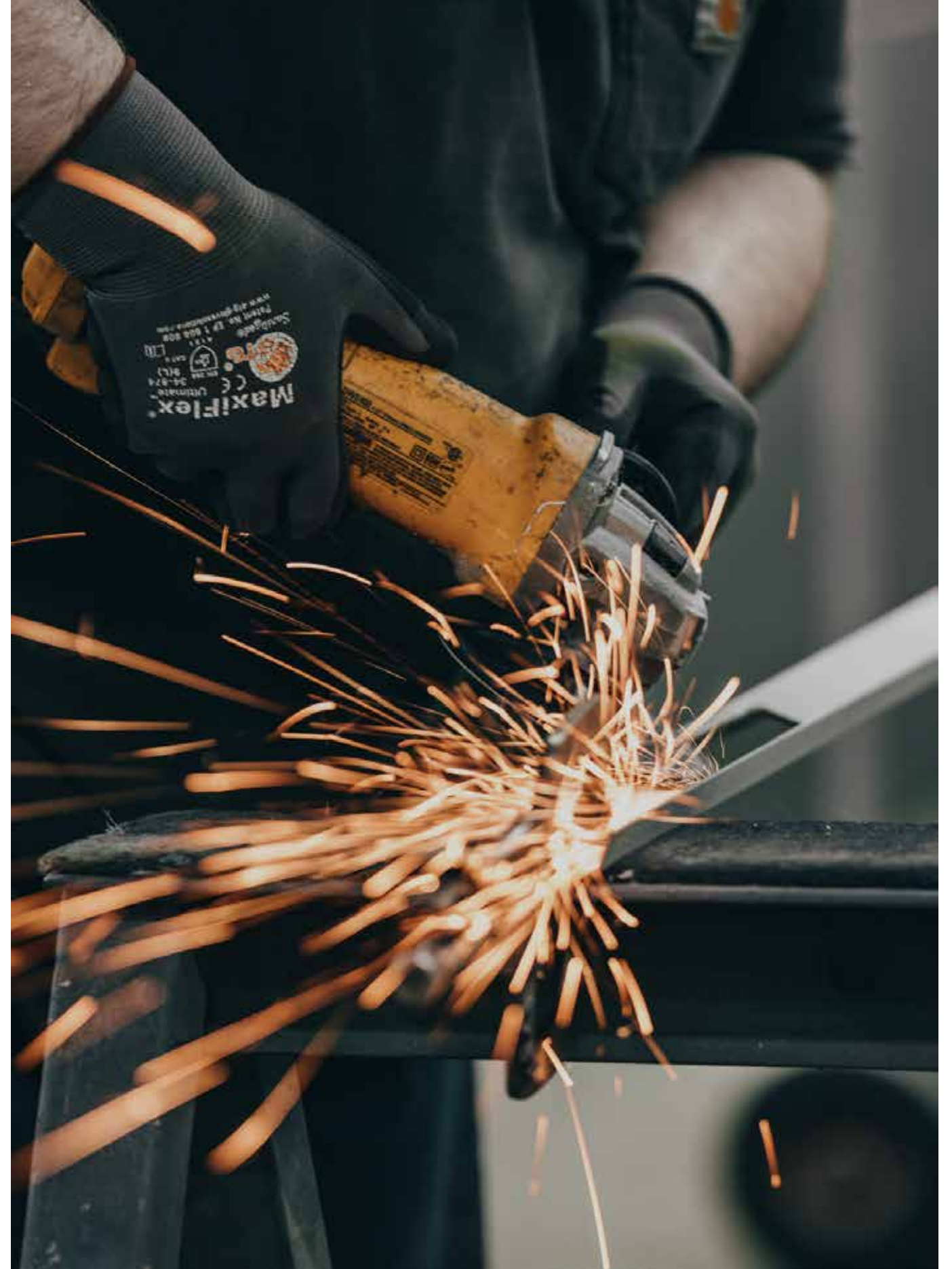
### CUB'R DOUBLE FACE 100/60



# NOTES

---

BECAFIRE





Your distributor

# BECAFIRE

---

DE PANNE  
Administration / ShoWroom  
Zwartenhoekstraat 2  
B-8660 De Panne

E : [becafire@bernard-cailliau.be](mailto:becafire@bernard-cailliau.be)  
[www.becafire.com](http://www.becafire.com)

Follow us on :  

Graphic design :

