

# Becafire

by Bernard Cailliau

**Model**

**BECATRANS 900x600**

**Dimensions (mm)**

- combustion opening WxDxH -
- glass door WxH -
- external WxDxH 895 x 441,8 x 606,5
- stoke grate WxD -
- fresh air -
- diam. flue -

**Technical Data**

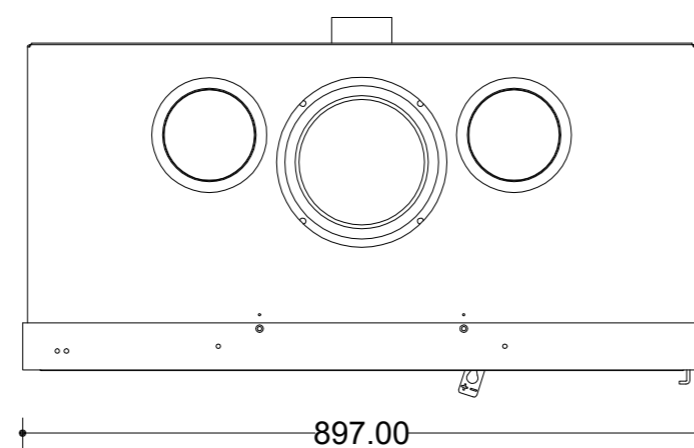
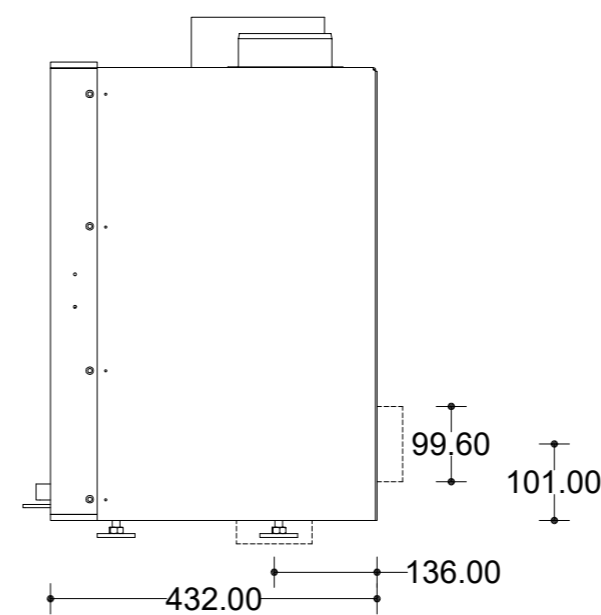
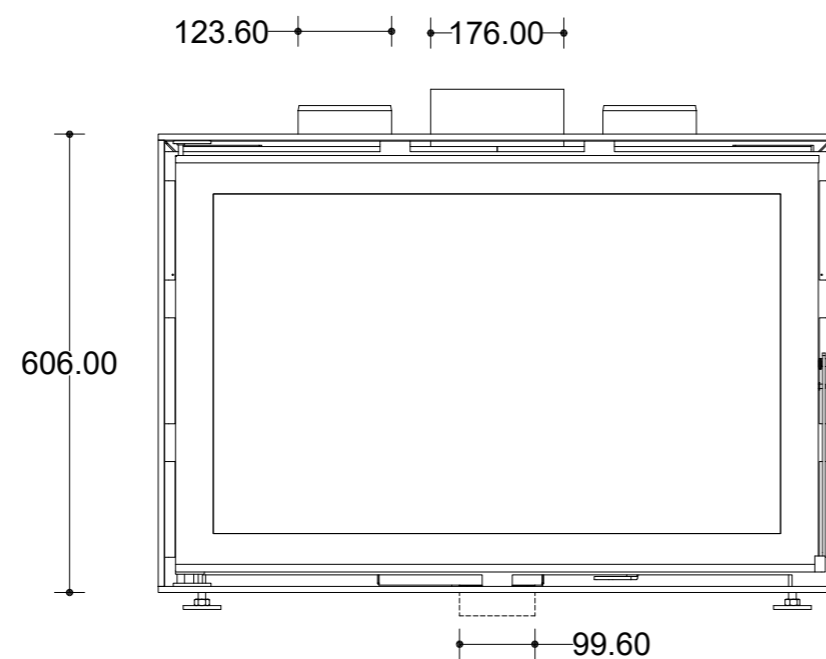
- combustion opening WxDxH -

**Specifications**

- finishing heat-resistant black paint
- cast iron stoke grate
- 1 opening door in heat-resistant glass
- sides: ribbed cast iron

**Options**

-



[www.becafire.com](http://www.becafire.com)