

Becafire

by Bernard Cailliau

Model

BECATRANS 1000x600

Dimensions (mm)

- combustion opening WxDxH -
- glass door WxH -
- external WxDxH 995 x 441,8 x 606,5
- stoke grate WxD -
- fresh air -
- diam. flue -

Technical Data

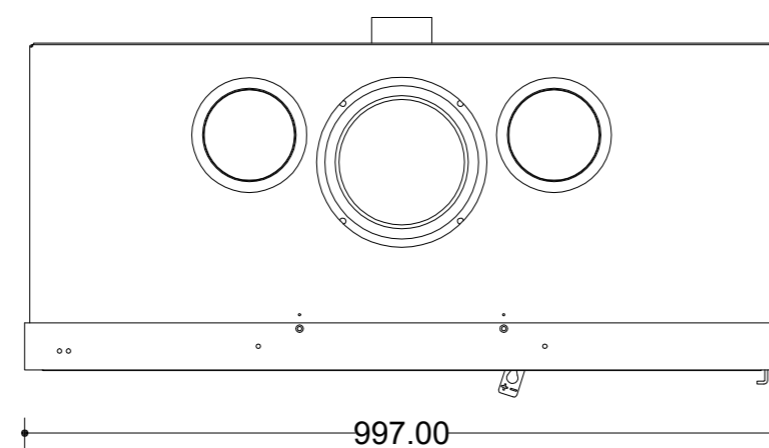
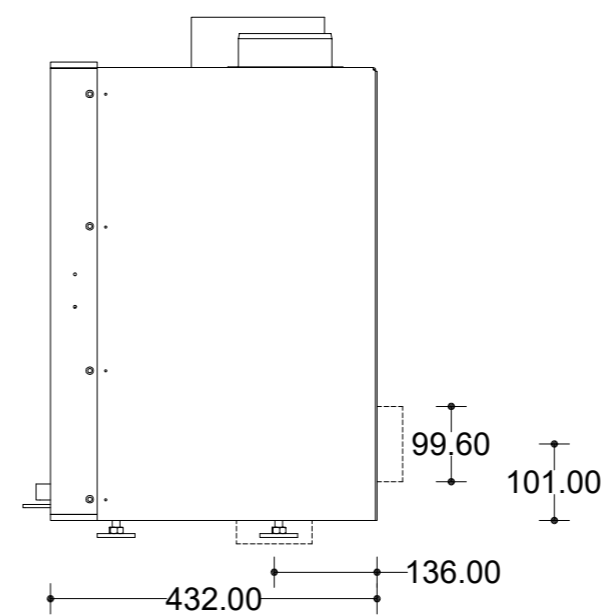
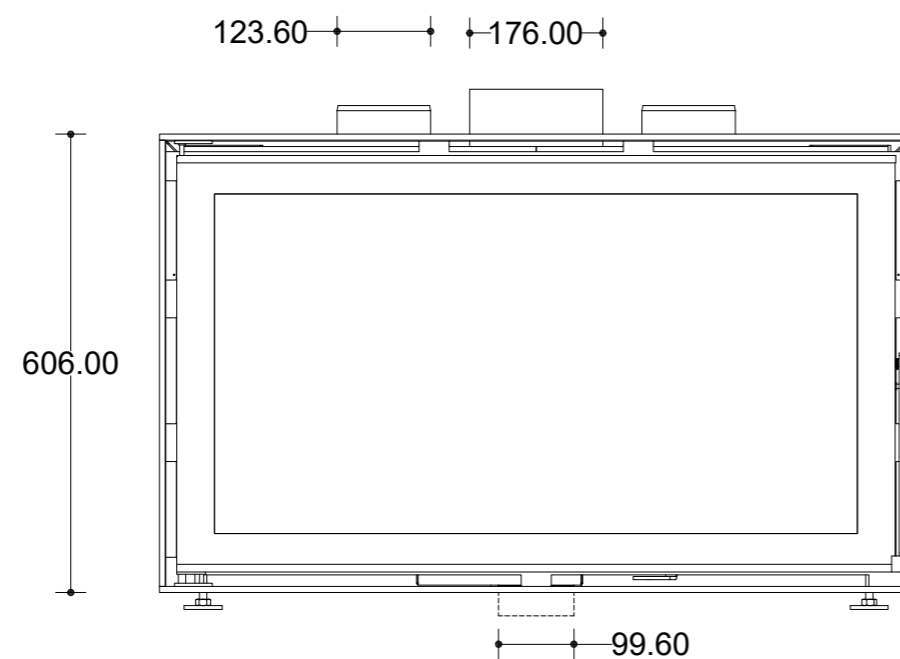
- combustion opening WxDxH -

Specifications

- finishing heat-resistant black paint
- cast iron stoke grate
- 1 opening door in heat-resistant glass
- sides: ribbed cast iron

Options

-



www.becafire.com